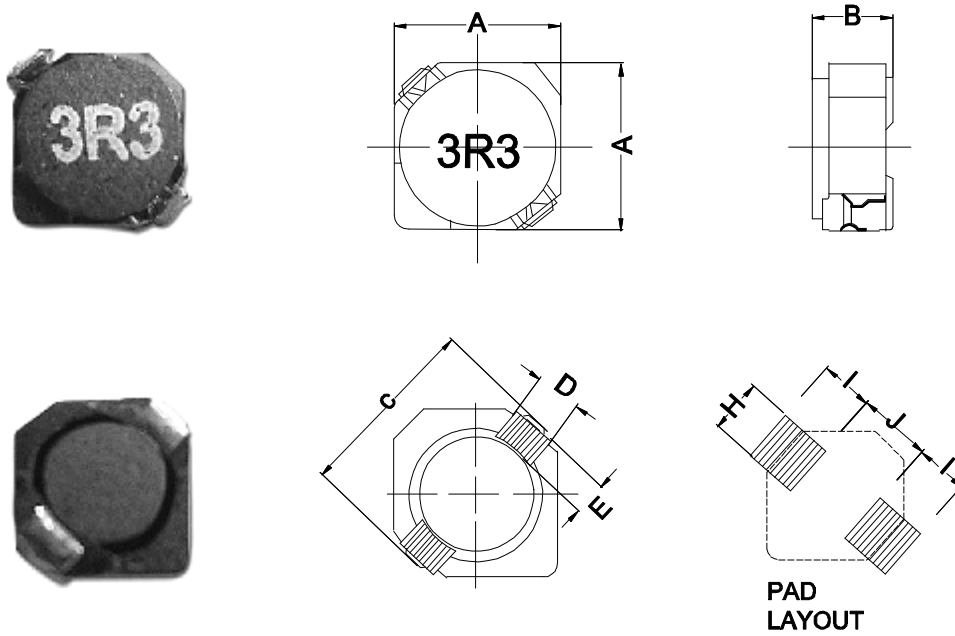


Shape and size : (Dimensions are in mm)



ITEM	A(max)	B(max)	C(max)	D	E	H	I	J
SMTDRRI2D09	3.3	1.1	4.5	1.0	0.7	1.3	1.3	1.7
SMTDRRI2D11	3.3	1.3	4.5	1.0	0.7	1.3	1.3	1.7
SMTDRRI2D14	3.3	1.6	4.5	1.0	0.7	1.3	1.3	1.7
SMTDRRI2D18	3.3	2.0	4.5	1.0	0.7	1.3	1.3	1.7

Features :

- Small size with the electrode attached to the ferrite core directly.
- Available in magnetically shielded .
- Low DC resistance .
- Suitable for large currents.
- Available on tape and reel for auto surface mounting.

Ordering information :

SMT DRRI2D11 - 3R3 N

(1) (2) (3) (4)

(1) Type : **Surface Mountable Type.**

(2) Style : **DR Core with RI core.**

2D is 2.8mm square and **11** is about 1.2 mm height.

(3) Inductance : **3R3** for **3.3** uH.

(4) Inductance tolerance : **N** : $\pm 30\%$.

Inductance and rated current ranges :

- SMTDRRI2D09 1.2~10uH 0.8~0.28A
- SMTDRRI2D11 1.5~10uH 0.9~0.35A
- SMTDRRI2D14 1.5~12uH 1.8~0.62A
- SMTDRRI2D18 2.2~47uH 0.85~0.2A

Characteristics :

- Rated DC Current: It is either the inductance is 35% lower than its initial value in D.C. saturation characteristics or temperature raise becomes $\Delta T=40^{\circ}\text{C}$ ($T_a=20^{\circ}\text{C}$), whichever is lower.
- Operating temperature : -20°C to 80°C .

Test equipments :

L tested by Agilent 4284A Precision LCR meter.

DCR tested by Milli-ohm meter.

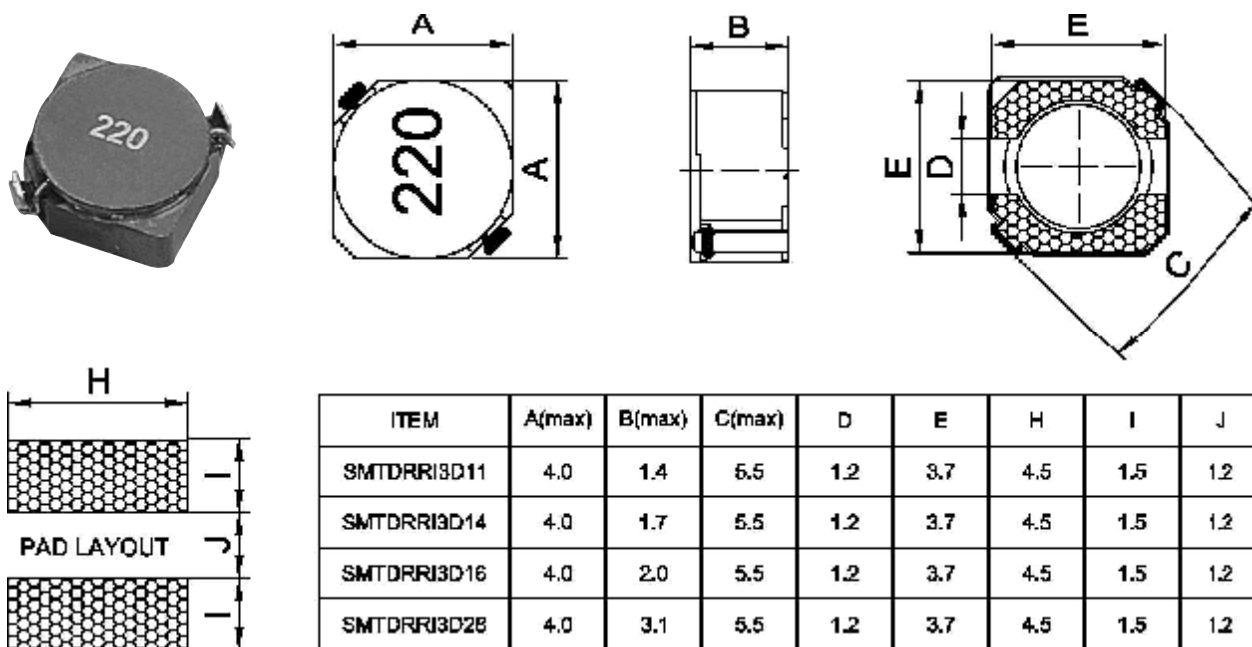
- Electrical specifications at 25°C .

Applications :

- DSC, DVC ,MP3,PDA products.
- DC/DC converters, etc.

Part No.	L (μ H)	DC Resistance (mOHM) Max.				Rated DC Current(Amp)Max.			
		2D09	2D11	2D14	2D18	2D09	2D11	2D14	2D18
1R2N	1.2	97.5				0.80			
1R5N	1.5	110.0	68	63		0.73	0.9	1.80	
1R8N	1.8	131.3		75		0.65		1.65	
2R2N	2.2	143.8	98	94	41	0.60	0.78	1.50	0.85
2R7N	2.7	150.0		106		0.53		1.35	
3R3N	3.3	193.8	132	125	54	0.47	0.60	1.20	0.75
3R9N	3.9	225.0		138		0.45		1.10	
4R7N	4.7	287.5	240	185	78	0.41	0.50	1.00	0.63
5R6N	5.6	325.0		220		0.37		0.95	
6R8N	6.8	425.0	360	250	115	0.33	0.44	0.85	0.52
8R2N	8.2	475.0		281		0.30		0.80	
100N	10	537.5	400	318	180	0.28	0.35	0.65	0.43
120N	12			438				0.62	
150N	15				220				0.35
220N	22				363				0.30
330N	33				516				0.24
470N	47				750				0.20

Measuring Freq.:2D09/2D11/2D14/2D18 :100KHz 0.1V; **N** : \pm 30%

Shape and size: (Dimensions are in mm)

Features:

- Small size with the electrode attached to the ferrite core directly.
- Available in magnetically shielded .
- Low DC resistance .
- Suitable for large currents.
- Available on tape and reel for auto surface mounting.

Ordering information:
SMT **DRRI3D11** - **220** **N**

(1) (2) (3) (4)

 (1) Type: **Surface Mounting Type**.

 (2) Style: **DR Core with RI core**.

3D is 3.8mm square and **11** is about 1.1mm height.

 (3) Inductance: **220** for **22uH**.

 (4) Inductance tolerance: **N**: ± 30%.

Inductance and rated current ranges:

- SMTDRRI3D11 2.7~39uH 0.53~0.14A
- SMTDRRI3D14 1.5~22uH 2.6~0.65A
- SMTDRRI3D16 1.5~33uH 1.55~0.32A
- SMTDRRI3D28 3.3~47uH 2.0~0.48A

• Test equipments :

L tested by Agilent 4284A Precision LCR meter @ 100KHz 0.1V.

DCR tested by Milli-ohm meter.

- Electrical specifications at 25°C.

Characteristics:

- Rated DC Current: It is either the inductance is 35% lower than its initial value in D.C. saturation characteristics or temperature raise becomes $\Delta T=40^{\circ}\text{C}$ ($T_a=20^{\circ}\text{C}$), whichever is lower.
- Operating temperature: -20°C to 80°C .

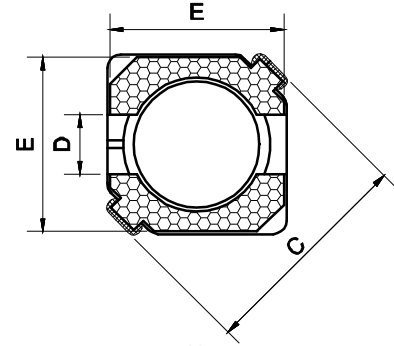
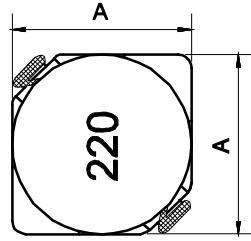
Applications:

- DSC, DVC ,MP3,PDA products.
- DC/DC converters, etc.

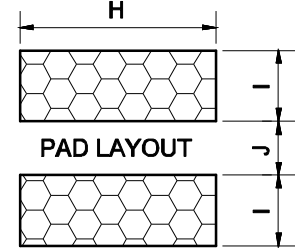
Part No.	L (uH)	DC Resistance (mOHM) Max.				Rated DC Current(Amp)Max.			
		3D11	3D14	3D16	3D28	3D11	3D14	3D16	3D28
1R5N	1.5		76	52			1.85	1.55	
2R2N	2.2			72				1.20	
2R4N	2.4		129				1.32		
2R7N	2.7	105				0.53			
3R2N	3.2		139				1.25		
3R3N	3.3			85	72.1			1.10	2.0
4R7N	4.7	156	214	105	88.3	0.4	1.04	0.90	1.65
6R8N	6.8	225	290	170	119	0.34	0.84	0.73	1.24
8R2N	8.2	294				0.32			
100N	10	338	440	210	145	0.28	0.9	0.55	1.05
120N	12	418				0.25			
150N	15	550	650	295	213	0.23	0.50	0.45	0.90
180N	18	626				0.21			
220N	22	731	830	430	335	0.19	0.48	0.40	0.76
330N	33	1108		675	481	0.17		0.32	0.58
390N	39	1390				0.15			
470N	47				599	0.14			0.48

Measuring Freq.:3D11/3D14/3D16/3D28 :100KHz 0.1V; **N**: ±30%

Shape and size : (Dimensions are in mm)



ITEM	A	B	C	D	E	H	I	J
4D18	4.7±0.3	2.0MAX	6.9MAX	1.5	4.5	5.3	1.9	1.5
4D28	4.7±0.3	3.0MAX	6.9MAX	1.5	4.5	5.3	1.9	1.5
5D18	5.7±0.3	2.0MAX	8.2MAX	2.0	5.5	6.3	2.15	2.0
5D28	5.7±0.3	3.0MAX	8.2MAX	2.0	5.5	6.3	2.15	2.0
6D28	6.7±0.3	3.0MAX	9.5MAX	2.0	6.5	7.3	2.65	2.0
6D38	6.7±0.3	4.0MAX	9.5MAX	2.0	6.5	7.3	2.65	2.0



Features :

- Small size with the electrode attached to the ferrite core directly.
- Available in magnetically shielded.
- Low DC resistance.
- Suitable for large currents.
- Available on tape and reel for auto surface mounting.

Ordering information :

SMT DRR15D28 - 220 N

(1) (2) (3) (4)

(1) Type : **Surface Mountable Type.**

(2) Style : **DR Core with RI core.**

5D is 5.7mm square and **28** is about 2.8mm height.

(3) Inductance : **220** for **22** uH.

(4) Inductance tolerance : **N** : ± 30%.

Inductance and rated current ranges :

- SMTDRRI4D18 1.0~39 uH 1.72~0.30A
- SMTDRRI4D28 1.2~180uH 2.56~0.22A
- SMTDRRI5D18 4.1~100uH 1.95~0.36A
- SMTDRRI5D28 2.6~100uH 2.60~0.42A
- SMTDRRI6D28 3.0~100uH 3.00~0.54A
- SMTDRRI6D38 3.3~100uH 3.50~0.65A

Characteristics :

- Rated DC Current: It is either the inductance is 35% lower than its initial value in D.C. saturation characteristics or temperature raise becomes $\Delta T=40^{\circ}\text{C}$ ($T_a=20^{\circ}\text{C}$), whichever is lower.
- Operating temperature : -20°C to 80°C .

Applications :

Test equipments :

L tested by Agilent 4284A Precision LCR meter.

DCR tested by Milli-ohm meter.

· Electrical specifications at 25°C .

- Power supply for VTRs.
- OA equipment .
- LCD televisions.
- Notebook PCs.
- Portable communication equipment.
- DC/DC converters, DSC, DVC ,MP3,PDA products.

Part No.	L (μ H)	DC Resistance (mOHM)Max.						Rated DC Current (Amp)Max.					
		4D18	4D28	5D18	5D28	6D28	6D38	4D18	4D28	5D18	5D28	6D28	6D38
1R0N	1.0	45						1.72					
1R2N	1.2		23.6						2.56				
1R8N	1.8		27.5						2.20				
2R2N	2.2	75	31.3					1.32	2.04				
2R6N	2.6				18						2.60		
2R7N	2.7	105	43.3					1.28	1.60				
3R0N	3.0				24	24					2.40	3.00	
3R3N	3.3	110	49.2				20	1.04	1.57				3.50
3R9N	3.9	155	64.8			27		0.88	1.44			2.60	
4R1N	4.1			57						1.95			
4R2N	4.2				31						2.20		
4R7N	4.7	162	72.0					0.84	1.32				
5R0N	5.0					31	24					2.40	2.90
5R3N	5.3				38						1.90		
5R4N	5.4			76						1.60			
5R6N	5.6	170	100.9					0.80	1.17				
6R0N	6.0					35						2.25	
6R2N	6.2			96	45		27			1.40	1.80		2.4
6R8N	6.8	200	108.9					0.76	1.12				
7R3N	7.3					54						2.10	
7R4N	7.4						31						2.30
8R2N	8.2	245	117.5		53			0.68	1.04		1.60		
8R6N	8.6					58						1.85	
8R7N	8.7						34						2.20
8R9N	8.9			116						1.25			
100N	10	200	128.3	124	65	65	38	0.61	1.00	1.20	1.30	1.70	2.00
120N	12	210	131.6	153	76	70	53	0.56	0.84	1.10	1.20	1.55	1.70
150N	15	240	149.0	196	103	84	57	0.50	0.76	0.97	1.10	1.40	1.60
180N	18	338	166.0	210	110	95	92	0.48	0.72	0.85	1.00	1.32	1.50
220N	22	397	235.0	290	122	128	96	0.41	0.70	0.80	0.90	1.20	1.30
270N	27	441	261.0	330	175	142	109	0.35	0.58	0.75	0.85	1.05	1.20
330N	33	694	378.0	386	189	165	124	0.32	0.56	0.65	0.75	0.97	1.10
390N	39	709	383.7	520	212	210	138	0.30	0.50	0.57	0.70	0.86	1.00
470N	47		587.0	595	260	238	155		0.48	0.54	0.62	0.80	0.95
560N	56		624.5	665	305	277	202		0.41	0.50	0.58	0.73	0.85
680N	68		699.0	840	355	304	234		0.35	0.43	0.52	0.65	0.75
820N	82		914.8	978	463	390	324		0.32	0.41		0.60	0.70
101N	100		1020	1200	520	535	358		0.29	0.36	0.42	0.54	0.65
121N	120		1270						0.27				
151N	150		1350						0.24				
181N	180		1540						0.22				

Measuring Freq.: 4D18 / 4D28 :100kHz 0.1V; 5D18 / 5D28 / 6D28 / 6D38 :10kHz 0.1V; **N** : $\pm 30\%$