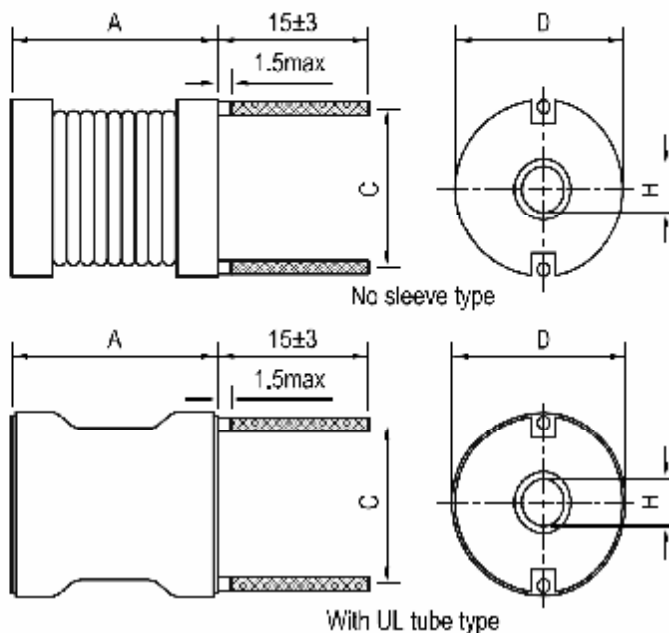


Shape and size : (Dimensions are in mm)



3 L P / N	A max	C typ	D max	H min
DRH1420	21.5	12.0	16.5	3.0
DRH1820	21.5	15.0	21.0	3.0
DRH2620	21.5	22.0	28.0	5.0
DRH3525	28.0	30.0	40.0	3.6

Features :

- High saturation current .
- Wide range of inductance.
- Ideal for use in switching regulated power supply applications.
- Short height with Self-lead design.
- With center hole for mechanical mounting.
- Varnish coated or UL tube.

Ordering information :

DRH 1820 - 100 K - UL

(1) (2) (3) (4) (5)

- (1) Type : **Basic model** high current choke .
- (2) Style : Core **OD=18 mm L=20 mm** .
- (3) Inductance : Example : **100** for **10 uH**
- (4) Inductance tolerance : **K** : $\pm 10\%$; **M** : $\pm 20\%$.
- (5) Sleeve: "**UL**": Black UL Tube; No code is no sleeve.

Inductance and rated current ranges :

• DRH1420	1.0uH ~ 560uH	9.0A ~ 0.8A
• DRH1820	1.0uH ~ 2.2mH	11.4A ~ 0.8A
• DRH2620	1.0uH ~ 4.7mH	21.0A ~ 1.0A
• DRH3525	1.8uH ~ 15 mH	27.0A ~ 1.3A

Characteristics :

- I sat: The current when the inductance becomes 10% lower than its initial value. (Ta=20°C)
- Suggested rated current: copper wire current density about 8.0 A/mm².
- Operating temperature : -20 °C to 80 °C .

Test equipments and test setup :

- L : LCR meter @ 1kHz .
- DCR : Milli-ohm meter .
- Electrical specifications at 25°C.

Applications :

- Power supplies and power amplifiers.
- Switching regulators.
- Speaker crossover networks.
- RFI suppression.

Part No.	L @1kHz (uH)	DCR (Ohm) Max.		I sat (DC Amp)		Suggested rated current AC (A)	
		DRH1420	DRH1820	DRH1420	DRH1820	DRH1420	DRH1820
1R0M	1.0	0.003	0.003	28	60	9.0	11.4
1R2M	1.2	0.003	0.003	26	54	9.0	11.4
1R5M	1.5	0.004	0.003	23	48	9.0	11.4
1R8M	1.8	0.004	0.003	21	44	9.0	11.4
2R2M	2.2	0.005	0.004	19	40	9.0	11.4
2R7M	2.7	0.005	0.005	17	36	9.0	11.4
3R3M	3.3	0.005	0.005	15	33	9.0	11.4
3R9M	3.9	0.006	0.005	14	30	9.0	11.4
4R7M	4.7	0.007	0.005	13	28	9.0	11.4
5R6M	5.6	0.007	0.006	12	25	9.0	11.4
6R8M	6.8	0.008	0.007	11	23	9.0	11.4
8R2M	8.2	0.009	0.007	10	21	9.0	11.4
100K	10	0.010	0.009	9.0	19	9.0	11.4
120K	12	0.011	0.009	8.5	17	8.5	11.4
150K	15	0.015	0.013	7.5	15	7.2	9.0
180K	18	0.016	0.018	6.8	14	6.8	7.2
220K	22	0.025	0.019	6.0	13	5.5	7.2
270K	27	0.030	0.026	5.5	11	4.5	5.5
330K	33	0.040	0.029	5.0	10	4.0	5.5
390K	39	0.046	0.030	4.5	9.5	4.0	5.5
470K	47	0.062	0.035	4.0	8.8	2.8	5.5
560K	56	0.069	0.039	3.7	8.0	2.8	5.5
680K	68	0.077	0.053	3.4	7.2	2.8	4.8
820K	82	0.083	0.060	3.1	6.6	2.8	4.8
101K	100	0.095	0.080	2.8	6.0	2.8	4.0
121K	120	0.127	0.090	2.5	5.5	2.0	4.0
151K	150	0.181	0.098	2.3	4.8	1.6	4.0
181K	180	0.217	0.110	2.1	4.4	1.6	4.0
221K	220	0.240	0.150	1.9	4.0	1.6	2.8
271K	270	0.300	0.213	1.7	3.6	1.6	2.0
331K	330	0.336	0.305	1.5	3.3	1.3	1.6
391K	390	0.460	0.320	1.4	3.0	1.0	1.6
471K	470	0.636	0.355	1.3	2.7	0.8	1.6
561K	560	0.696	0.388	1.2	2.5	0.8	1.6
681K	680		0.430		2.3		1.6
821K	820		0.590		2.1		1.3
102K	1000		0.818		1.9		1.0
122K	1200		1.140		1.7		0.8
152K	1500		1.260		1.5		0.8
182K	1800		1.390		1.4		0.8
222K	2200		1.540		1.2		0.8

Part No.	L @1kHz (uH)	DCR (Ohm) Max.		I sat (DC Amp)		Suggested rated current AC (A)	
		DRH2620	DRH3525	DRH2620	DRH3525	DRH2620	DRH3525
3R9M	3.9	0.003	0.003	32.0	95	21.0	27.0
4R7M	4.7	0.003	0.003	29.0	95	21.0	27.0
5R6M	5.6	0.003	0.004	26.0	79	21.0	27.0
6R8M	6.8	0.004	0.004	24.0	79	21.0	27.0
8R2M	8.2	0.004	0.004	22.0	69	21.0	27.0
100K	10	0.006	0.005	20.0	61	17.0	27.0
120K	12	0.008	0.005	18.0	55	13.5	27.0
150K	15	0.009	0.006	16.0	49	13.5	27.0
180K	18	0.01	0.008	15.0	41	13.5	27.0
220K	22	0.011	0.009	13.5	38	13.5	21.0
270K	27	0.012	0.01	12.0	36	13.5	21.0
330K	33	0.017	0.011	11.0	31	13.5	21.0
390K	39	0.022	0.012	10.0	28	11.4	21.0
470K	47	0.024	0.018	9.2	27	9.0	14.4
560K	56	0.026	0.019	8.5	26	9.0	14.4
680K	68	0.029	0.021	7.6	25	9.0	14.4
820K	82	0.032	0.023	7.0	23	9.0	14.4
101K	100	0.034	0.025	6.5	20	9.0	14.4
121K	120	0.046	0.028	5.8	18	7.2	14.4
151K	150	0.064	0.040	5.2	17	5.5	11.4
181K	180	0.072	0.045	4.7	15	5.5	11.4
221K	220	0.080	0.050	4.3	13	5.5	11.4
271K	270	0.110	0.056	3.9	12	4.5	11.4
331K	330	0.122	0.074	3.5	11	4.5	11.4
391K	390	0.169	0.082	3.2	10	4.0	9.0
471K	470	0.187	0.114	2.9	9.2	4.0	7.2
561K	560	0.205	0.125	2.7	8.3	4.0	7.2
681K	680	0.256	0.139	2.4	7.6	2.8	7.2
821K	820	0.288	0.154	2.2	6.8	2.8	7.2
102K	1000	0.426	0.216	2.0	6.2	2.0	5.5
122K	1200	0.462	0.232	1.8	5.7	2.0	5.5
152K	1500	0.518	0.324	1.6	5.1	2.0	4.5
182K	1800	0.705	0.360	1.5	4.6	1.6	4.5
222K	2200	1.020	0.494	1.3	4.2	1.3	4.0
272K	2700	1.140	0.555	1.2	3.8	1.3	4.0
332K	3300	1.270	0.773	1.1	3.4	1.3	2.8
392K	3900	1.670	0.845	1.0	3.1	1.0	2.8
472K	4700	1.860	1.140	0.9	2.9	1.0	2.0
562K	5600		1.600		2.5		2.0
682K	6800		1.760		2.3		1.6
822K	8200		1.950		2.0		1.6
103K	10000		2.760		1.8		1.3
123K	12000		3.040		1.7		1.3
153K	15000		3.390		1.5		1.3